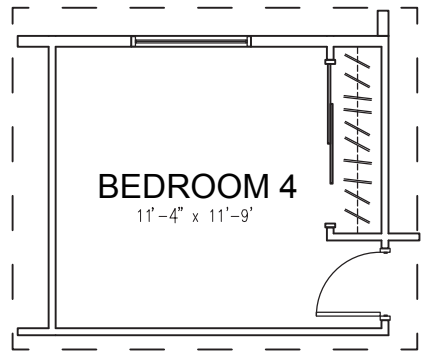
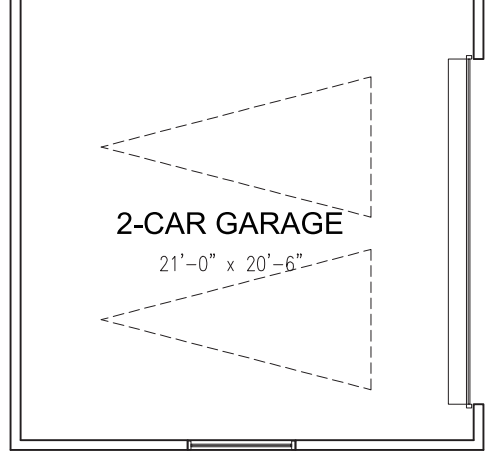
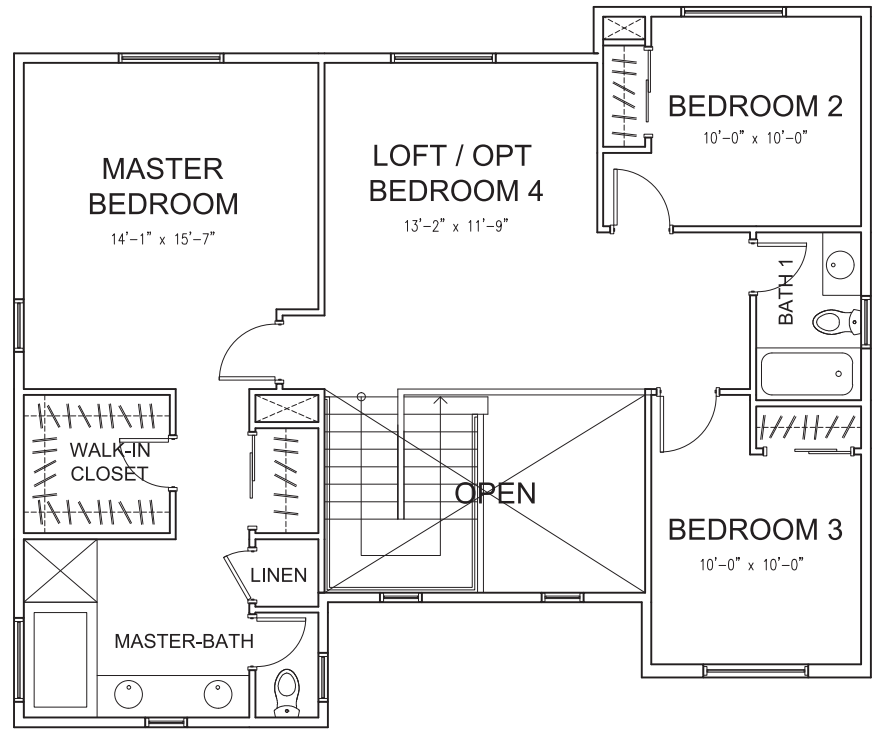


1ST FLOOR



OPT BEDROOM 4



2nd FLOOR